



Alfa V 800, 910 & 1000mm

Air cooled condensers ACV

Application

The Alfa Laval Condenser can be used in refrigeration and air conditioning equipment.

Heat exchanger

Optimized "V type" design provides large capacity with compact size. Innovative heat exchanger design gives excellent heat transfer with minimized refrigerant charge, thanks to the new fins corrugation, developed by Alfa Laval, combined with advanced cross fin tubes. In the standard execution, heat exchanger manufactured from copper tubes and aluminium fins with spacing 2.1 mm.

Double connection provides opportunity for two completely independent heat exchangers.

Each heat exchanger undergoes a pressure and leaking test with dry air at 31 bar, and finally supplied with a nitrogen pre-charge.

Fan motor

Three different fan diameters available: 800, 910 and 1000mm with three-phase motor 400V-50Hz. The motors are with external rotor, made in accordance with VDE 0530/12.84, IP54. These Axial Condensers are available in five noise levels fan motor, (S) standard, (L) low, (Q) quiet, (R) residential and the new (T) high performance fan Axial Condensers ACV 800 and 910 are available in 4 noises level fan motor, (S) standard, (L) low, (Q) quiet and (R) residential. Axial Condensers ACV 1000 are available in 3 noises level fan motor, (L) low, (Q) quiet and (R) residential.

New bell mouths optimize the performance of the fan motors and minimize the noise level. Each fan chamber is separated by internal baffle plates which enables optimal capacity control by separate running of the fans.

Frame and casework

Casework made with galvanized steel sheets painted (corrosion resistance class C4) with epoxy finish, RAL 9002. New design frame provides high rigidity also for heavy applications. New system perfectly protects the heat exchanger tubes during transportation and operation against vibration and thermal expansion. Support manufactured in galvanized steel.

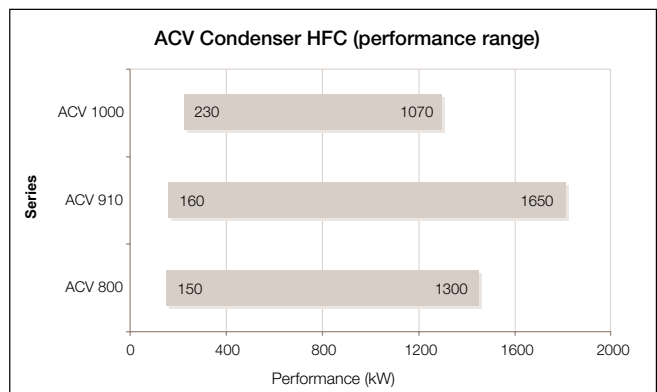
FEATURES AND BENEFITS

Footprint

- Optimizes footprint with higher capacity 800, 910 and 1000mm fan
- More performance available
- Low power consumption fan motor
- More choices on noise level
- Flexible design



Alfa V Axial Condensers - ACV



RAL 9002 all parts painted

- No cut edges
- Higher corrosion resistance, double surface treatment

Coil design

- Increased heat transfer thanks to innovative fins corrugation

Casing

- Strong casing with new design

High energy efficiency

- Best performance with low energy consumption

OPTIONS

Non standard fin spacing

- For heavy dusty environments

Multi-circuits

- Split the capacity and connect more compressors

Coil treatment

- Corrosion resistance
- Useful for aggressive environments

Spray water device

- Possibility to select smaller units
- Keep the performance during temperature peaks

Vibration dampers

- Useful to reduce vibrations

SPECIAL FANS

EC fans

- Best alternative for frequency converter control 480/3 ph -60 Hz IP54
- High adaptability on every market

IP55

- High protection fan to be used in tropical or desert areas

ELECTRICAL PARTS

Switch on/off

- Local safety switch wired to isolate the fan, EMC switch also available

Terminal box

- All fans are wired for an easy electrical connection

Switchboard

- Manufacture reliability
- Corrosion/Shock/Condensation/UV resistance

- Wide range of solutions
- IP66 for casing, IP56 for switchboard
- 100% recyclable

Cabling

- Ready for installation

Design for frequency converter

- Units can run under frequency control (when air temperature is below the design it permits energy saving, noise reduction and longer fan motor lifetime)

Fan step control

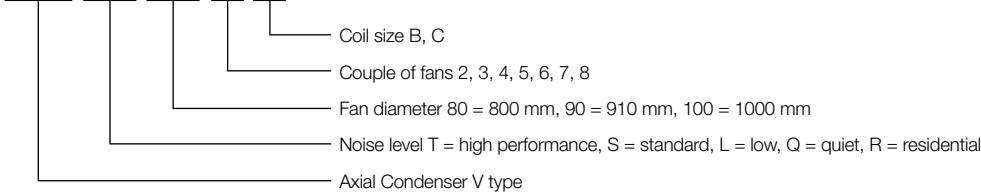
- Energy saving
- Better control of performance

Fan speed control

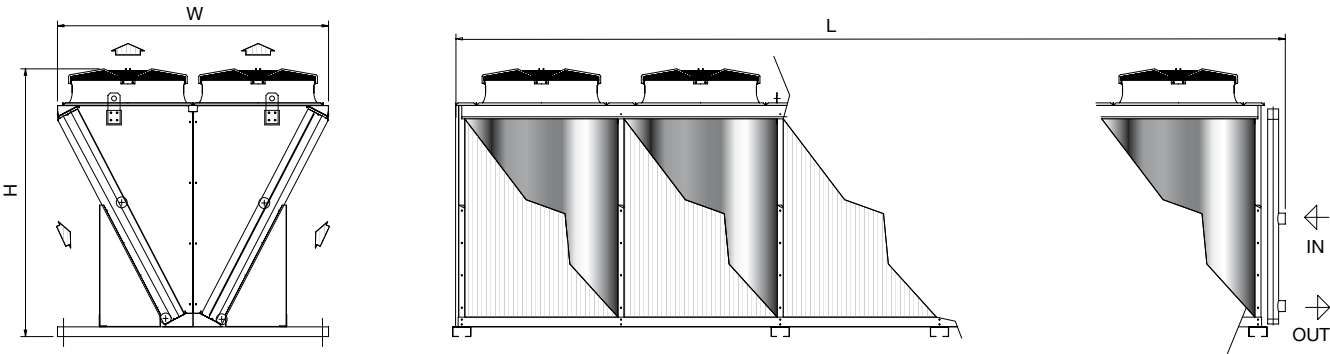
- Energy saving
- Noise reduction when air temperature is below design temperature
- Variable and fine control of velocity according to heat reject

Model	Dimensions (mm)	...02	...03	...04	...05	...06	...07	...08
ACV 800/910/100	H	2280	2280	2280	2280	2280	2280	2280
	L	2940	4250	5560	6870	8180	9490	10800
	W	2230	2230	2230	2230	2230	2230	2230

AC VT 90 4 C



Dimensions



PCT00066EN 0703

All rights reserved for changes in specifications

How to contact Alfa Laval

Up-to-date Alfa Laval contact details for all countries are always available on our website at www.alfalaval.com

